



B-SERIES

PARTS COUNTERMAN'S CATALOG

Section 6

Hose Reel



SEWER HOSES

All hose assemblies are supplied with male X male end fittings. All hose assemblies 100% pressure tested.

Service Temperature: -40°F to 122°F (-40° to 50°C)



SIZE	FEET	WORKING PRESSURE	HOSE COLOR	APPROX WEIGHT	PART NO. PIRANHA	PART NO. COBRA
1/8"	50	4000 PSI	Green	1.75	15031-50	TBA
	100	4000 PSI	Green	3.50	15031-100	TBA
3/16"	75	4000 PSI	Green	3.90	15009-075	TBA
	100	4000 PSI	Green	5.20	15009-100	TBA
	150	4000 PSI	Green	7.80	15009-150	TBA
	200	4000 PSI	Green	10.40	15009-200	TBA
1/4"	100	5000 PSI	Red	5.20	20037-100	TBA
	150	5000 PSI	Red	7.80	20037-150	TBA
	200	5000 PSI	Red	10.40	20037-200	TBA
3/8"	100	4000 PSI	Green	10.50	20032-100	TBA
	150	4000 PSI	Green	15.75	20032-150	20032-150-COBRA
	200	4000 PSI	Green	21.00	20032-200	20032-200-COBRA
	250	4000 PSI	Green	26.25	20032-250	TBA
	300	4000 PSI	Green	31.50	20032-300	TBA
	400	4000 PSI	Green	42.00	20032-400P	TBA
1/2"	50	4000 PSI	Green	8	J-1942-50P	TBA
	100	4000 PSI	Green	16	J-1942-100P	J-1942-100-COBRA
	150	4000 PSI	Green	24	J-1942-150P	J-1942-150-COBRA
	200	4000 PSI	Green	32	J-1942-200P	J-1942-200-COBRA
	250	4000 PSI	Green	40	J-1942-250P	TBA
	300	4000 PSI	Green	48	J-1942-300P	J-1942-300-COBRA
	400	4000 PSI	Green	64	J-1942-400P	J-1942-400-COBRA
	450	4000 PSI	Green	72	J-1942-450P	TBA
	500	4000 PSI	Green	80	J-1942-500P	J-1942-500-COBRA
	600	4000 PSI	Green	96	J-1942-600P	J-1942-600-COBRA
	700	4000 PSI	Green	112	J-1942-700P	J-1942-700-COBRA
	800	4000 PSI	Green	128	J-1942-800P	J-1942-800-COBRA
1000	4000 PSI	Green	160	J-1942-1000P	TBA	

SIZE	FEET	WORKING PRESSURE	HOSE COLOR	APPROX WEIGHT	PART NO. PIRANHA	PART NO. COBRA
3/4"	100	2500 PSI	Orange	29	A175150-10	A175150-10-COBRA
	200	2500 PSI	Orange	58	A175150-11	A175150-11-COBRA
	250	2500 PSI	Orange	73	J-1940-250P	TBA
	300	2500 PSI	Orange	87	A175150-12	TBA
	400	2500 PSI	Orange	116	A175150-21	A175150-21-COBRA
	500	2500 PSI	Orange	145	A175150-22	A175150-27-COBRA
	600	2500 PSI	Orange	174	A175150-23	A175150-23-COBRA
	700	2500 PSI	Orange	203	A175150-24	A175150-24-COBRA
	750	2500 PSI	Orange	218	J-1940-750P	A175150-26-COBRA
	800	2500 PSI	Orange	232	A175150-25	A175150-25-COBRA
1000	2500 PSI	Orange	290	J-1940-1000P	TBA	
3/4"	100	3000 PSI	Blue	29	J-1943-100P	TBA
	400	3000 PSI	Blue	116	A175150-21-3000	A175166-3000-COBR
	500	3000 PSI	Blue	145	A175150-22-3000	A175150-22-COBRA
	600	3000 PSI	Blue	174	A175150-23-3000	A175167-3000-COBR
	700	3000 PSI	Blue	203	J-1943-700P	A175168-3000-COBR
	800	3000 PSI	Blue	232	A175150-25-3000	A175169-3000-COBR
	1000	3000 PSI	Blue	290	TBA	A175171-3000-COBR
1"	100	2500 PSI	Orange	40	A175211	TBA
	200	2500 PSI	Orange	80	A175213	A175213-COBRA
	300	2500 PSI	Orange	120	A175221	TBA
	400	2500 PSI	Orange	160	A175231	A175231-COBRA
	500	2500 PSI	Orange	200	A175241	A175241-COBRA
	600	2500 PSI	Orange	240	A175252	A175252-COBRA
	700	2500 PSI	Orange	280	A175261	A175261-COBRA
	800	2500 PSI	Orange	320	A175271	A175271-COBRA
	1000	2500 PSI	Orange	400	J-1941-1000P	A175269-COBRA
	1200	2500 PSI	Orange	480	J-1941-1200P	TBA
1"	400	3000 PSI	Blue	164	A175233	A175233-3000-COBR
	500	3000 PSI	Blue	205	A175241-3000	A175241-3000-COBR
	600	3000 PSI	Blue	246	A175252-3000	A175252-3000-COBR
	700	3000 PSI	Blue	287	TBA	A175261-3000-COBR
	800	3000 PSI	Blue	328	A175271-3000	A175271-3000-COBR
	1000	3000 PSI	Blue	410	TBA	A175269-3000-COBR
1 1/4"	400	2500 PSI	Orange	236	A175281	Not Available
	500	2500 PSI	Orange	295	A175282	Not Available
	600	2500 PSI	Orange	354	A175283	Not Available
	1000	2500 PSI	Orange	590	A381626	Not Available

REVISED 7/5/2018



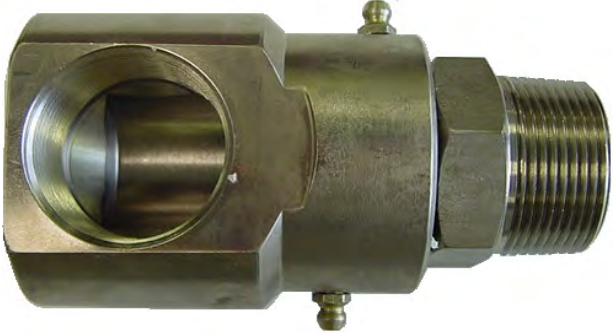

For jetting nozzles and other sewer cleaning tools, please refer to our Jetting Accessories catalog available on both our www.aquatechinc.com and www.obrienmfg.com websites or upon request.



STYLE	3/4"	1"	1-1/4"
 <p>CAST IRON "TM STYLE"</p>	<p>A130729 FNPT x FNPT <i>used on early B-5s</i></p>	<p>J-2405-2 FNPT x FNPT <i>used on O'Brien hydraulic reels</i></p>	<p>A130727-1 FNPT x FNPT <i>used on late model B-Series rear reel</i></p>
 <p>STAINLESS STEEL</p>		<p>A130710 FNPT x FNPT <i>SS alternate for J-2405-2</i></p>	
 <p>MACHINED STEEL "SNAP RING STYLE"</p>		<p>J-2405-1 FNPT x FNPT <i>used on O'Brien "Swinger" reels</i></p>	
 <p>ZINC PLATED</p>		<p>A338108 FNPT x FNPT <i>used on SJ600P</i></p>	
 <p>STEEL "PARKER STYLE"</p>	<p>A130725 MNPT x FNPT <i>used on SJ600E</i></p>		<p>A130720 MNPT x FNPT "OBSOLETE" <i>used on early Aquatech B-Series</i></p>
 <p>NICKLE PLATED STEEL</p>		<p>A249630-42 MNPT x FNPT <i>used on NYC SJ700</i></p>	<p>A130727 MNPT x FNPT <i>used on Aquatech front reels older B-Series rear reel.</i></p>

1 1/4" HOSE REEL SWIVELS






Shown below are two styles of 1 1/4" hose reel swivels used on the B and SJR Aquatech trucks since the early 90s. We started using the cast iron swivel on the right exclusively for production in late 2001 on rear reel units. On front reel units we still use the steel swivel for the sake of clearance. SJ series trucks with pivart reels typically use the cast swivel. Please use the information below to insure which swivel is required. The cast iron steel swivel uses a part number 132530 1 1/4"NPT close nipple to attach it to the end of the hose reel inlet pipe. Swivels should be lubricated with a silicone based grease (one small pump per week when the unit is being used regularly).

 <p>STEEL 1 1/4" REEL SWIVEL PART NO. A130727 Has grease fittings Nickle Plated Steel</p> <p>Repacking kit: A130727KIT</p>	 <p>CAST IRON 1 1/4" REEL SWIVEL PART NO. A130727-1 Was originally a sealed unit, now has grease fitting (starting 2013). Cast iron, painted red. Repacking kit: A130727-1-KIT Ball Bearing kit: A130727-1-BB Back-up Ring: A130727-1-BR See parts bulletin AQP-B-155 for more information on this design.</p>
--	--

NOTE: These are the only 1 1/4" swivels available from us. If you run across another style 1 1/4" swivel on an older Aquatech unit (such as the one to the right), it is obsolete and would have to be substituted by one of the above.



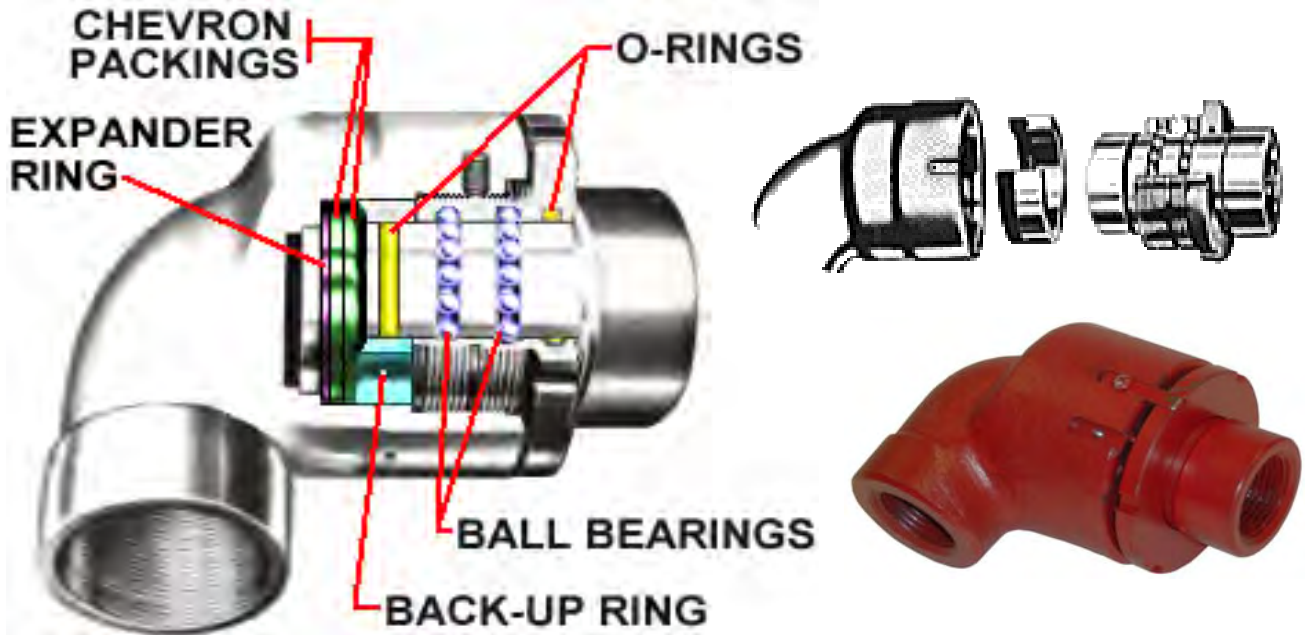
ADAPTER FITTINGS

	 <p>A130753 Inlet Adapter, 1-1/4"MNPT X 1-1/4"MJIC (for 1-1/4" Hose)</p> <hr/>  <p>A130751 Inlet Adapter, 1-1/4"MNPT X 1"MJIC (for 1" Hose)</p>
	<p>A132530 Close Nipple, 1-1/4" (for attaching cast swivel to reel)</p>
	<p>A130791 Adapter, 1-1/4"MNPT X 1-1/4"FNPTS (for retrofitting old style swivels like the one above)</p>

PARTS BULLETIN

CAST IRON REEL SWIVELS

This is an informational bulletin providing parts information for the cast iron reel swivel found on our various models of jetters.



	AQUATECH	O'BRIEN	AQUATECH
NPT Size	3/4"	1"	1-1/4"
Part No.	A130729	J-2405-2	A130727-1
Seal Kit (Chevron Packings, Expander Ring & O-rings)	J-2405-2K	J-2405-2K	A130727-1-KIT
Bearing Kit (Ball Bearings)	J-2405-2BK	J-2405-2BK	A130727-1-BB
Back-up Ring	J-2405-2BR	J-2405-2BR	A130727-1-BR

NOTE: For more information on the 1-1/4" swivel, see Parts Bulletin AQPB-102

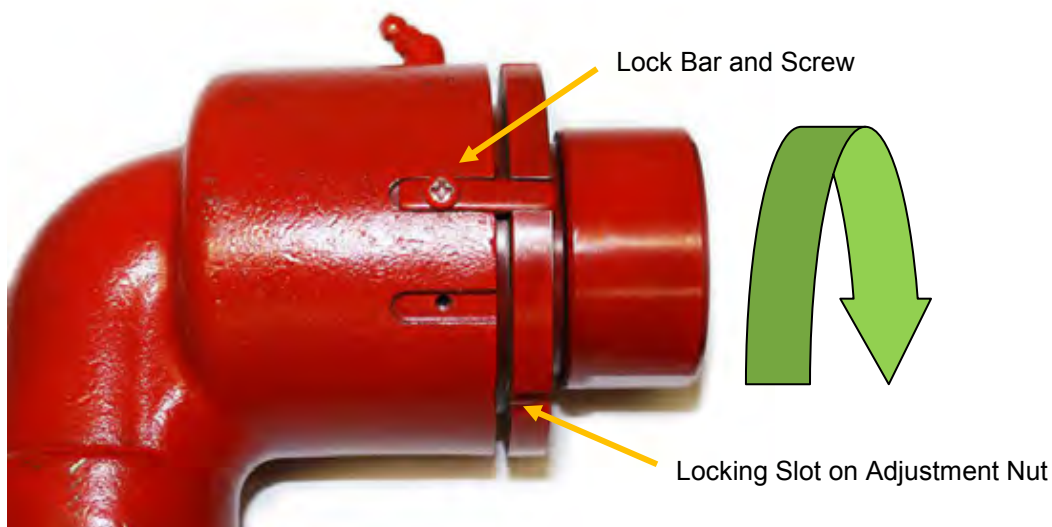
Servicing the 1-1/4" Reel Water Swivel

The Aquatech Water Swivel can be serviced while still in place, in line. The swivel is pre-greased at the factory and will require lubrication at the following intervals:

- Every 500 hours of service using the swivel for 4-6 hours per day.
- If the swivel joint is in constant rotation, or subjected to higher temperatures lubrication will be required more often.

Greasing your Swivel:

Adding grease into swivel both lubricates bearings plus allows chevron seals inside swivel to expand and make a seal against outer housing and inner water course. Add grease through grease zerk until grease fills ball races and extrudes through weep hole. Provisions have been made for take-up on packing to compensate for packing wear. Eventually, worn packing will need to be replaced. Order Packing Kit P/N A130727-1-KIT.



If joint in swivel begins to leak water, remove screw and lock bar, turn Adjustment Nut clockwise (tighten) to next locking slot and install lock bar. Add a small amount of grease into grease zerk. Then, use the reel in normal working function to observe if this adjustment was sufficient. Process may be repeated until packing has been worn out to the extent that it will no longer seal (water leaks through) with adjustment.

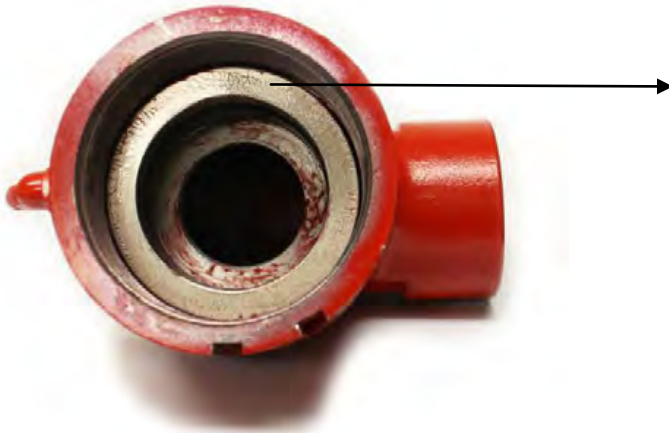
Order Packing Kit P/N A130727-1-KIT

Repacking The Water Swivel:

1. Remove lock bar (SEE PAGE 1).



2. Remove nut and nipple assembly from body by turning nut counter-clockwise.

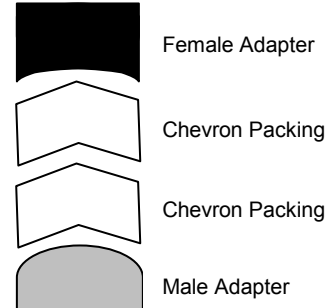


3. Remove steel female adapter, also called a back-up ring, from swivel body.



4. Remove two chevron packing rings.

5. Remove composite male adapter



6. Clean packing chamber.
7. **Grease all parts thoroughly.**
8. Reinstall, in order:
 - (a) male adapter – convex side facing out.
 - (b) new chevron packing rings Open side of V faces down toward male adapter.
 - (c) steel female adapter – convex side of adapter toward packing.
9. Insert nut and nipple assembly in body and reassemble. Rotate nipple as the nipple passes through the packing
10. Screw nut clockwise until compression on packing causes nipple to rotate with a mild amount of torque. Reinstall the lock bar.
11. Add grease through grease zerk until grease fills ball races and extrudes through weep hole.
12. No need to handle the balls or disassemble the nut and nipple to repack the Swivel Joint.

Replacing The Ball Bearings in the Water Swivel

After a period of use the ball bearings in the 1-1/4" Water Swivel will wear and should be replaced. Hi-Vac recommends replacing the ball bearings annually.

Order replacement kit P/N: **A130727-1-BB**

Used Ball Bearings discolored from heat:



New Ball Bearings



Replacement Procedure:

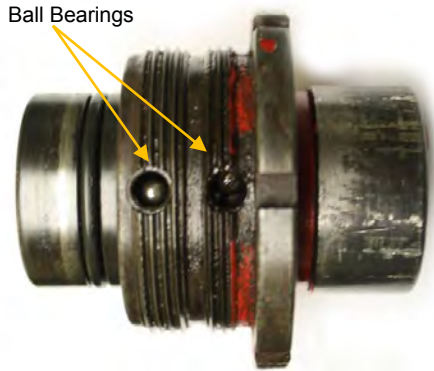
1. Remove lock bar (SEE PAGE 1).

2. Remove nut and nipple assembly from body by turning nut counter-clockwise.



3. Remove two set screws on adjustment nut:





4. Remove ball bearings through holes:

Helpful Hint: Spray degreaser or spray lubricant into holes to soften grease.

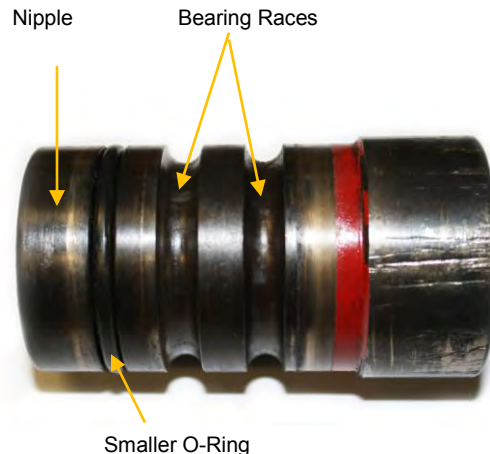
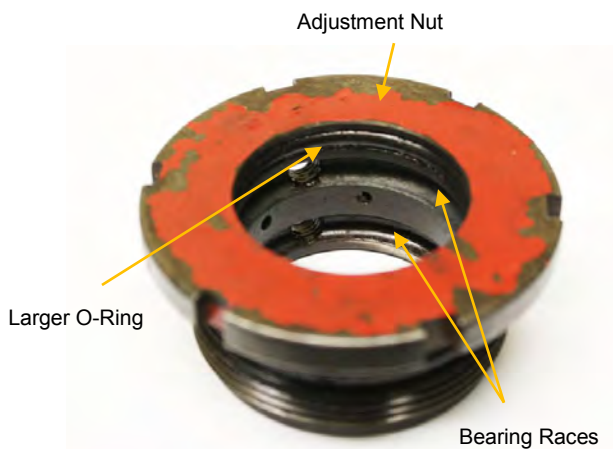
Ball bearings will come out through holes one at a time.

There are **20** steel bearing balls in each bearing race.

Turn swivel by hand until ball is seen through hole.

With open hole(s) turned downward tap assembly lightly on a piece of wood, as to not damage nut, and balls will fall out one by one. Continue to spray degreaser into holes to assist with grease removal. Turn the assembly and repeat process until all 40 bearing balls come out.

5. After all of the bearings are removed slide the adjustment nut off the nipple:



6. Remove the **two** used O-Rings and discard.

7. Clean both the adjustment nut and the nipple with degreaser. You may want to buff out the bearing races on the nipple.



8) Coat new O-Rings with grease and install in appropriate grooves. One of each size O-Ring comes with swivel repacking kit P/N A130727-1-KIT.



9. Lightly coat the entire nipple with grease. Liberally coat two bearing races on Nipple *and* Adjustment Nut with grease then reinstall Nipple into the Adjustment Nut as shown in photo at left.

10. Insert **twenty** new ball bearings into each of the two holes on the Adjustment Nut. each BB Kit includes 40 ball bearings.



11. Replace the **two** set screws after all ball bearings are installed.



12. Screw Nipple/Adjustment nut assembly into Water Swivel body.

Screw in until snug against packing.



13. Install Locking Bar and Screw.

14. Add grease into zerk until grease comes out through weep hole.

15. Install rebuilt Swivel on hose reel.

Water swivels should be understood to be a maintenance item. Feedback from Aquatech operators indicates that it is advantageous to stock a separate new or rebuilt water swivel. Many end-users keep a rebuilt 1-1/4" swivel in the toolbox on their unit. If their water swivel starts leaking on a jobsite, and they know that the swivel in use has come to the point of adjusting the packing all the way down - meaning the packing is too worn and it's time for a packing rebuild - it is easy to simply exchange the leaking swivel for the rebuilt one on hand. Down-time is minimized. They then take the leaking swivel back to the shop, have it re-packed/serviced and returned to the unit toolbox so that it is ready when needed the next time.

Aquatech 1-1/4" Water Swivel and Rebuild Kits Part Numbers:



1-1/4" Water Swivel

Order P/N: **A130727-1:**

Contains: Complete swivel, ready for use



1-1/4" Water Swivel Repacking Kit

Order P/N: **A130727-1-KIT:**

Contains: Two chevron packing
One Male Adapter Ring



1-1/4" Water Swivel Bearing Replacement Kit

Order P/N: **A130727-1-BB:**

Contains: Forty Ball Bearings

Contact the Hi-Vac Parts Department at: (740) 374-2306

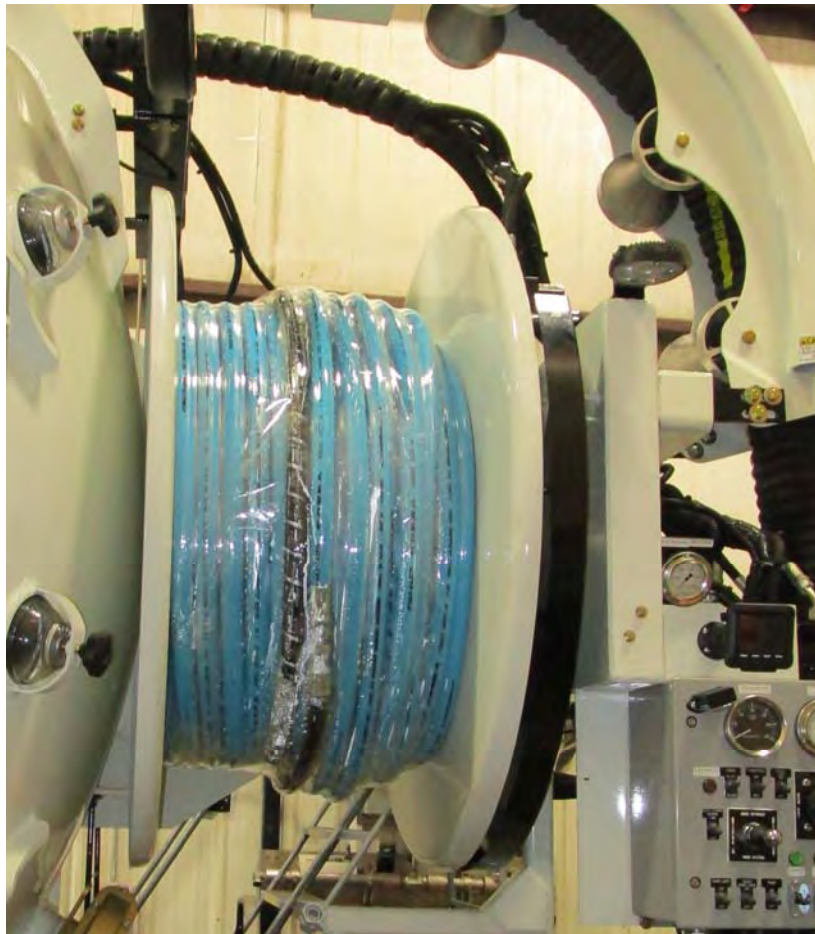


B-SERIES

PARTS COUNTERMAN'S CATALOG

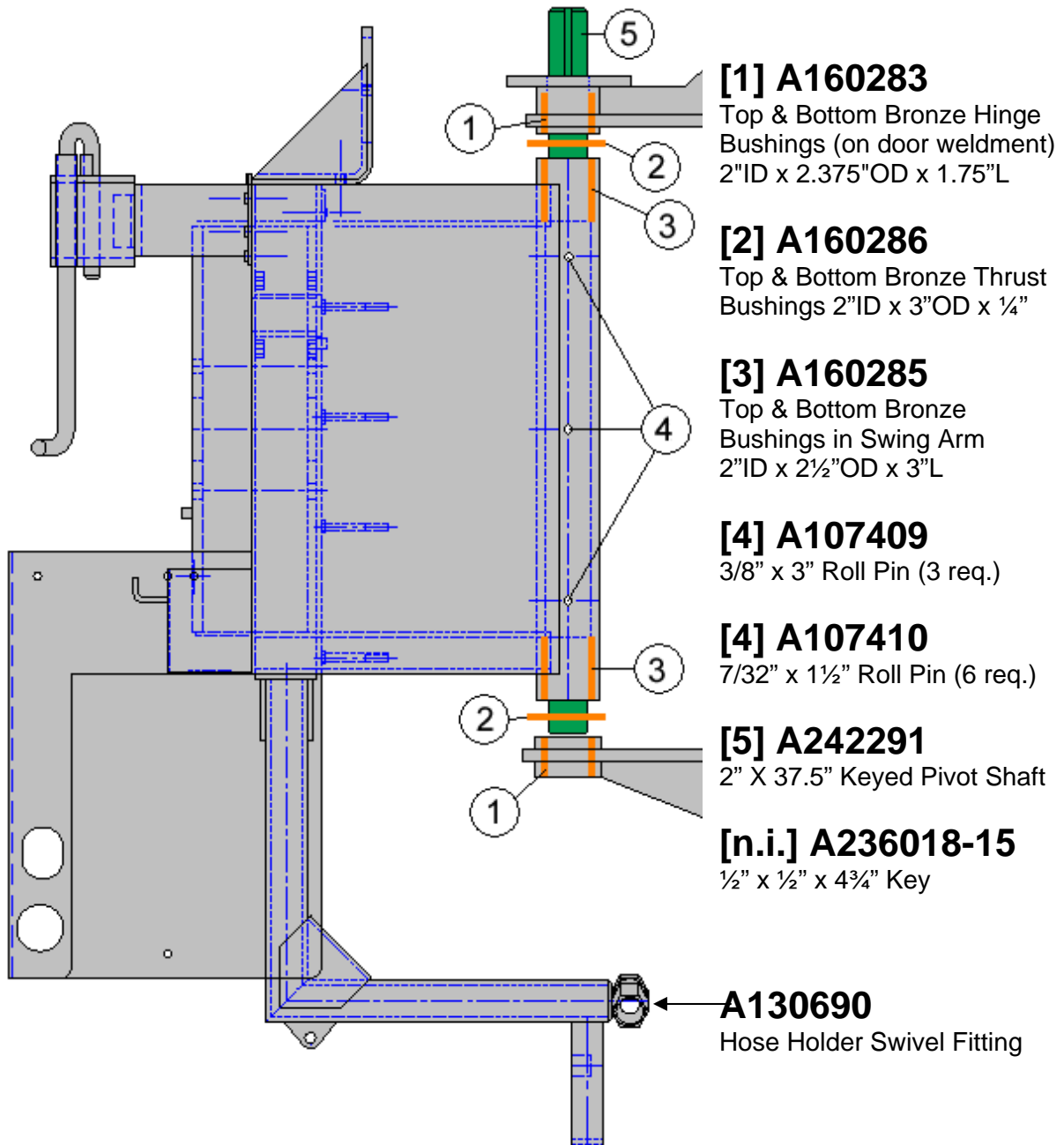
Section 6

Rear Reel Sub-Section





A270232 Swing Arm Weldment (replaces A270230-1) and Mounting Parts

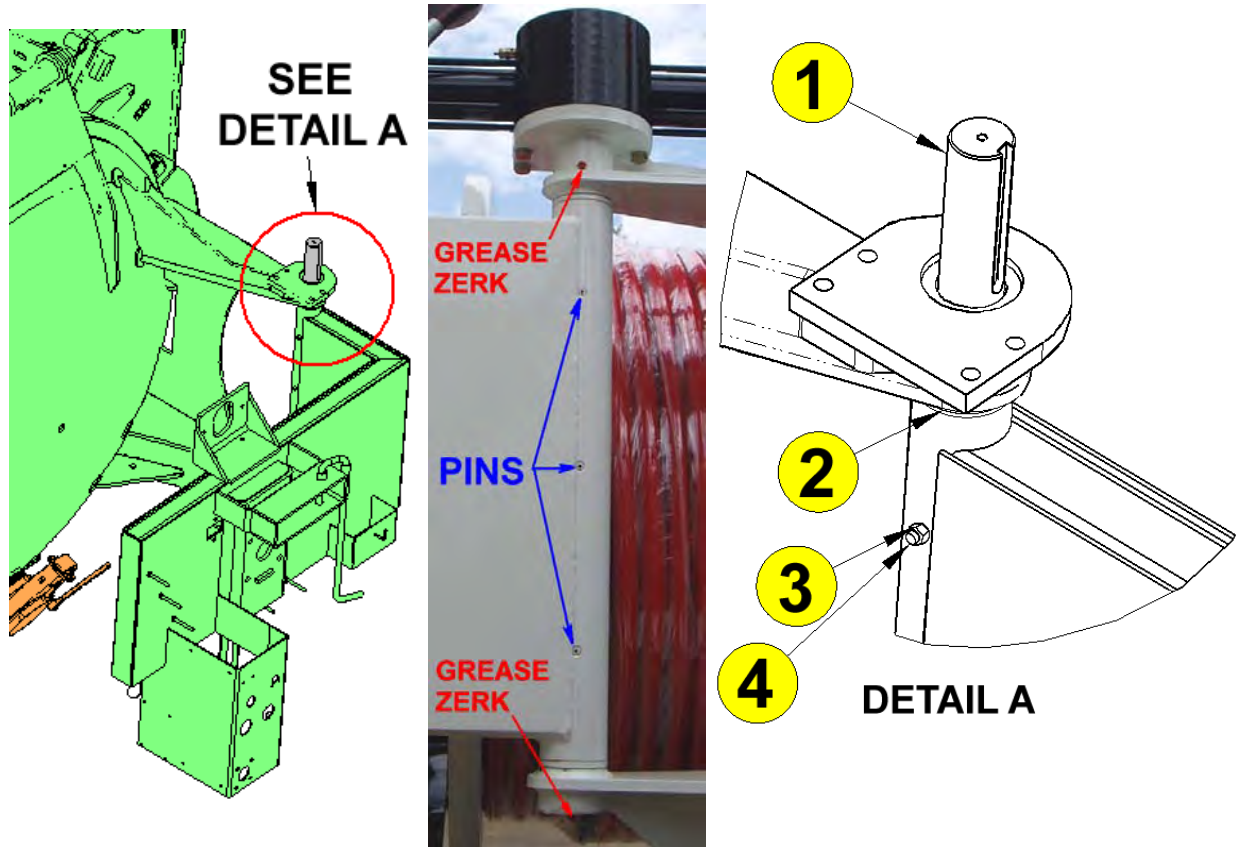


Revised 11/21/16



REAR REEL SWING ARM PIVOT SHAFT

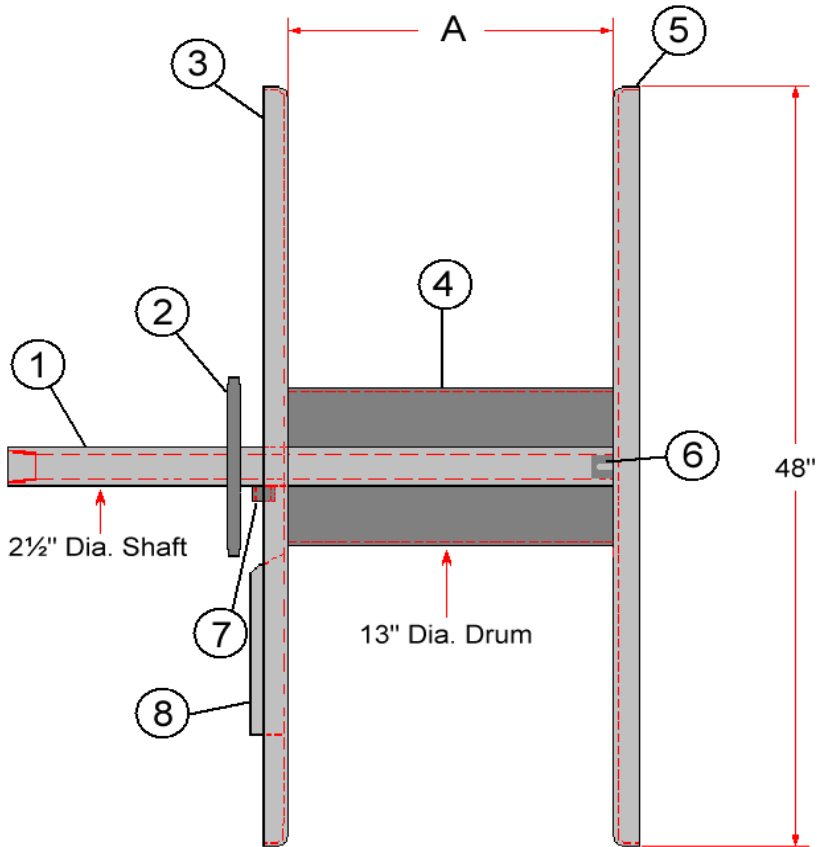
The roll pins that were used to anchor the hose reel swing arm to the pivot shaft was change to grade 8 cap screws in mid-2014. Below are the part numbers for the current set-up.



ITEM	PART NO.	DESCRIPTION	QTY
1	A242291	Shaft, Reel Arm Pivot, 2" Keyed	1
2	A160286	Bushing, Oil-Lite Bronze (Top & Bottom)	2
3	A107018	Lock Nut, 3/8"-16 Crimped Hex, G8	3
4	A104496	Cap Screw, 3/8"-16 X 3-1/2"L, Hex Head, G8	3

The caps screws can be used in place of the roll pins on older units, however, if the roll pins were sheared off, excessive drag may be suspect due to the lack of lubrication of the bearings.

48" B & SJR HOSE REELS FOR 1" SEWER HOSE



RUBBER BUMPER

(Threads into item 6)



P/N A246185-S

3/8"-16 Mounting Stud

Used prior to Mar 1997 and
after Dec 2017



A246185

3/8"-24 Mounting Stud

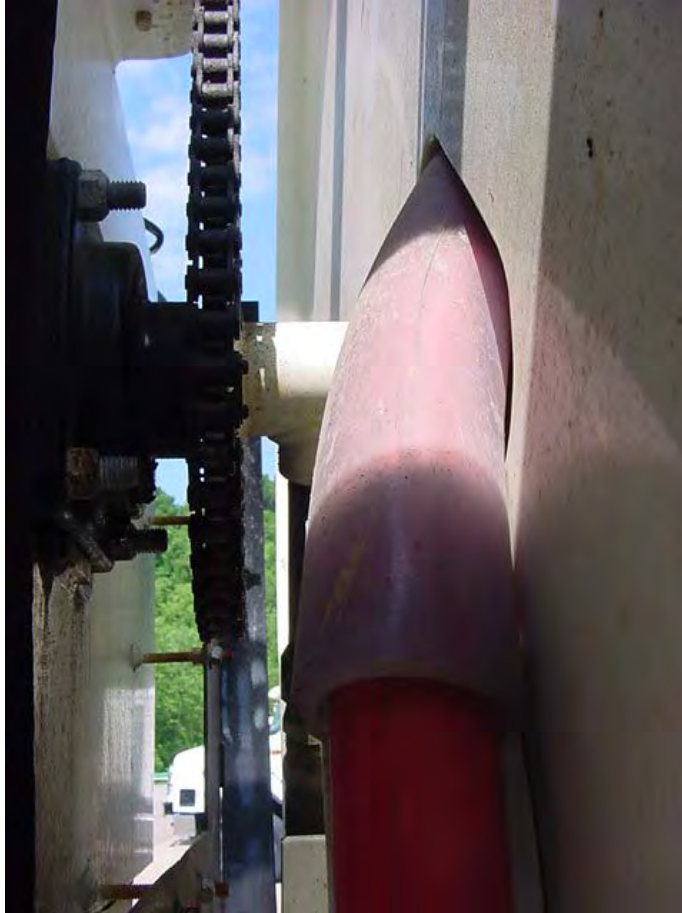
Used from Mar 1997 to

		CAPACITY →	600'	650'	800'	800'
		WIDTH →	A=13-1/8"	A=15-1/8"	A=19-1/8"	A=19-1/8"
		WHERE USED →	Older Models	Older Models	Current Production	Optional Reel
ITEM	DESCRIPTION	Standard Rotation	Standard Rotation	Standard Rotation	LH Rotation *	
1 - 8	Complete Reel Assembly	A240255	A240255-1	A240255-2	A240255-4	
1	Axle Shaft	A240311	A242875	A242875	A242875	
2	Sprocket, 45T	A160320	A160320	A160320	A160320	
3	Side Plate, Sprocket Side	A240309-1	A240309-1	A240309-1	A240309-1L	
4	Spool	A235692-2	A235692	A242874	A242874	
5	Side Plate, Door Side	A240310-1	A240310-1	A240310-1	A240310-1	
6	Axle Cap (tapped 3/8"-16)	A246187	A246187	A246187	A246187	
7	Nipple	A132460	A132460	A132460	A132460	
8	Hose Guide Ring	A242718	A242718	A242718	A242718	

* Used on machines where the reel swing arm articulates to the left toward the street.



HOSE REEL SEWER HOSE PROTECTOR SLEEVE



CLEAR VINYL TUBING

1-3/4" OD X .125" WALL

PER FOOT: P/N A175280

1 FOOT PRE-CUT LENGTH: P/N A175280-1



B & SJR REAR REEL HOSE REEL DRIVE COMPONENTS



STANDARD UNITS

PART NUMBER	DESCRIPTION
A160220	13 tooth sprocket for 1" Shaft
21-4205	Replacement Set Screws Only - 5/16"-18 X 3/8"LG.
A221340-10	1/4" x 1/4" x 1" key for A160220 sprocket
A160440-19	54" Roller Chain for B & SJR Series (requires master link)
A160820	Replacement master link
A380839	Hydraulic Motor, Hose Reel Drive, 1" Shaft

HD UNITS

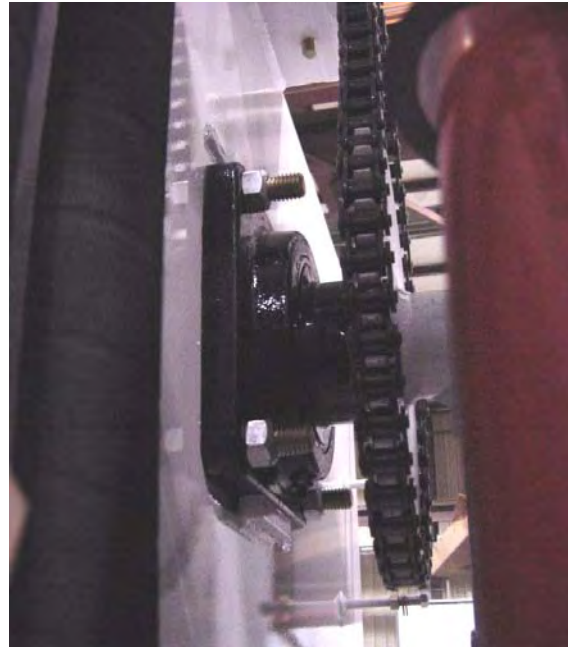
PART NUMBER	DESCRIPTION
A381513	13 tooth sprocket for 1 1/4" Shaft
A338367	1/4" x 5/16 x 1 1/4" key for A381513 sprocket
A160440-19	54" Roller Chain for B & SJR Series (requires master link)
A160820	Replacement master link
A381512	Hydraulic Motor, Hose Reel Drive, 1 1/4" Shaft



STANDARD B-SERIES REAR REEL BEARINGS



OUTSIDE BEARING

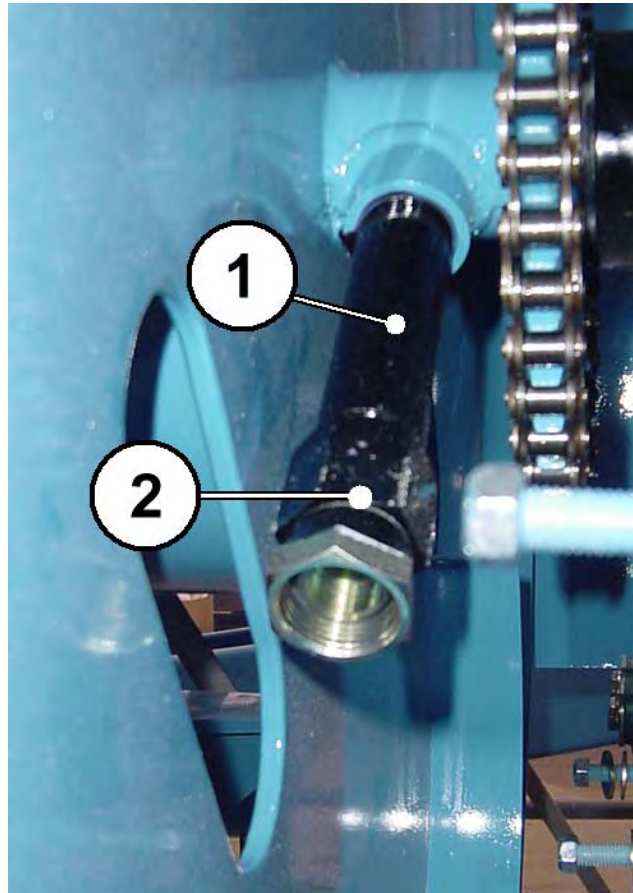


INSIDE BEARING

PART NUMBER	DESCRIPTION	QTY.
A161845	2½" Flange Bearing (prior to June 2011) 5-7/8" square bolt pattern ctr. to ctr.	2
A161848	2½" Flange Brg. (starting June 2011) 6" square bolt pattern ctr. to ctr.	2
A105514	5/8"-11 x 9" Grade 8 Cap Screws	4
A107236	5/8" Grade 8 Lock Washer	4
A107024	5/8"-11 Grade 8 Lock Nut	4



B-SERIES REEL TO JETTER HOSE PIPING



ITEM	PART NUMBER	DESCRIPTION
1	A132460	1" X 6" Pipe Nipple
2	A130690	1"FNPT X 1"FNPT Swivel



A250110

B3/B5 TOP SUSPENDED HOSE REEL



Part Number A250110

HOSE REEL AND FRAME ASSY., B-3 & B-5

Level	Part Number	Description	Quantity	U/M	SC
1	A250119	PARTS SUPP TO REEL WELDT VENDO	1	EA	M
1	A160440	CHAIN,#60 (PER FOOT)	3	FT	P
1	A160820	LINK,CHAIN CONNECTING,#60	1	EA	P
1	A160300	BEARING,FLANGE,4 BOLT,1-15/16"	2	EA	P
1	A222280	GREASE FITTING,45 DEGREE	2	EA	P
1	A244750P	REEL MTG FRME,B5 TWN	1	EA	P
1	A245323	SUPPORT RING	1	EA	P
1	A245321	REEL FRAME PIVOT SHAFT	1	EA	P
1	A244810P	LEVEL WIND, MOUNTING FRAME B-5	1	EA	P
1	A250255	HYDRAULIC MOTOR ASSEMBLY-HOSE	1	EA	M
2	A110199	HYDRAULIC MOTOR	1	EA	P
2	A135910	ADAPTER,STR,#10MSAE X #8MJIC	2	EA	P
2	A130870	ADAPTER,ELBOW,90D,#8FJICS X #8	2	EA	P
1	A235405	^SPACER, HYD. MOTOR	1	EA	M
1	A104894	SCREW,CAP,7/16-20 X 1-1/2",HH,	4	EA	P
1	A107090	NUT,HEX,7/16-20,PLT,GR8	4	EA	P
1	A107222	WASHER,FLAT,7/16",PLT,GR8	4	EA	P
1	A107296	WASHER,LOCK,7/16",PLT,GR8	4	EA	P
1	A107226	WASHER,FLAT,1/2",PLT,GR8,USS	10	EA	P
1	A107298	WASHER,LOCK,1/2",PLATED,GR8	10	EA	P
1	A105202	SCREW,CAP,1/2-13 X 2-1/2",HH,P	2	EA	P
1	A130729	3/4" HOSE REEL SWIVEL	1	EA	P
1	A245226P	HOSE REEL WELDMENT, 1" HOSE B-	1	EA	M
2	A235694	HOSE REEL SHFT WELDT, 1" WATER	1	EA	M
2	A235167-1	SPROCKET	1	EA	M
2	A225251-1	REEL SIDE PLATE, 2-1/16" I.D.	1	EA	M
2	A235159-1	CIRCULAR PLATE SPACER	1	EA	M
2	A225252-1	REEL SIDE PLATE W/ CUTOUT, 2-1	1	EA	M
2	A235164	RING, HOSE REEL	1	EA	M
2	A235163	CLIP,HOSE RING	1	EA	M
1	A135760	ADAPTER,STR,3/4"MNPT X 3/4"FNP	1	EA	P
1	A135730	ADAPTER,ELBOW,45D,3/4"MNPT	1	EA	P
1	A250261	HYD. VALVE ASSY. INSTALLATION,	1	EA	M
2	A250260	HYDRAULIC VALVE ASSY.-HOSE REE	1	EA	M
3	A110442	VALVE,HYDRAULIC WITH FLOW CONT	1	EA	P
3	A135500	ADAPTER,STR,#8MSAE X #8MJIC	1	EA	P
3	A171524	ADAPTER,ELBOW,45D,3/4"FJICS X	3	EA	P
3	A171529	ELBOW,90 DEG MSAE 12 X MJIC 12	2	EA	P
3	A135490	ADAPTER,ELBOW,90D,#8 MSAE X #8	2	EA	P
3	A133378	PLUG FOR HYDROSTATIC PUMPS M22	1	EA	P
2	A104054	SCREW,5/16"-18 X 3",HEX,PLTD,G	3	EA	P
2	A107262	WASHER,3/4"IDX1.5"OD,PLTD,GR.8	3	EA	P
2	A107292	WASHER,LOCK,5/16",PLT,GR8	3	EA	P
1	A250283	WATER DIVRTR VLVE ASSY INSTLN,	1	EA	M
2	A250282	WATER DIVERter VALVE ASSY, TWN	1	EA	M
3	A130925	VALVE,BALL,3/4",3-WAY	1	EA	P
3	A135740	ADAPTER,ELBOW,90D,3/4"MNPT X 3	2	EA	P
3	A135730	ADAPTER,ELBOW,45D,3/4"MNPT	1	EA	P
3	A135760	ADAPTER,STR,3/4"MNPT X 3/4"FNP	1	EA	P
2	A220500	CLAMP,MUFFLER,2"	2	EA	P
1	A250286	CONTROL PANEL ASSY INSTALL, TN	1	EA	M
2	A250285	CONTROL PANEL ASSY, HOSE REEL	1	EA	M
3	A131780	GAUGE,PRESSURE,0-5M PSI, W/FLA	1	EA	P
3	A121790	TACHOMETER,ELECTRIC,ALT. POWER	1	EA	P
3	A120855	SWITCH,DPDT MOMENTARY W/SLIDE	1	EA	P
2	A134990	ADAPTER,ELBOW,90D,1/4"FNPT X 1	1	EA	P
2	A103568	SCREW,1/4"-20 X 1",HEX,PLTD,GR	4	EA	P
2	A107050	NUT,1/4-20,HEX,PLT,GR8	4	EA	P
2	A107290	WASHER,LOCK,1/4",PLATED,GR8	4	EA	P



B-SERIES

PARTS COUNTERMAN'S CATALOG

Section 6

Front Reel Sub-Section



Level	Part Number	Description	Quantity	U/M	SC
1	A247008	FRONT REEL HOSE & FITTING KIT	1	EA	P
2	A234382-12	HOSE ASSY,1/2"-R2-18",#8FJIC X	3	EA	P
2	A234385-17	HOSE ASSY,3/8"-R2-18,3/8FJICx1	1	EA	P
2	A173102	HOSE ASSY,1/2"-R2-197,1/2"FJIC	1	EA	P
2	A173202	HOSE ASSY,1/2-R2-33,1/2FJICSx1	1	EA	P
2	A234481-45	HOSE ASSY,1/2"-R2-64",#8FJIC X	1	EA	P
2	A173205	HOSE ASSY,1/2-R2-25,1/2FJICSx1	1	EA	P
2	A173206	HOSE ASSY,1/2-R2-43,1/2FJICSx1	1	EA	P
2	A173207	HOSE ASSY, 1"-R2-26", 1"FJICS	2	EA	P
2	A234385-24	HOSE ASSY,3/8"-R2-44",#6FJIC X	1	EA	P
2	A173108	HOSE ASSY,3/8"-R2-41",#8FJICSx	1	EA	P
2	A173110	HOSE,3/8-R2-17.5,3/8FJICS x 3/	1	EA	P
2	A234991-24	HOSE ASSY,3/8"-R2-22",#6FJIC X	2	EA	P
2	A234995-16	HOSE ASSY,1"-R2-37",1"MNPT X 1	1	EA	P
2	A234995-26	HOSE ASSY,1"-R2-39",1"MNPT X 1	1	EA	P
2	A234995-27	HOSE ASSY,1"-R2-17",1"MNPT X 1	1	EA	P
2	A135910	ADAPTER,STR,#10MSAE X #8MJIC	2	EA	P
2	A171549-1	ADAPTER,ELBOW,45D SWIV NUT M-F	1	EA	P
2	A135770	ADAPTER,ELBOW,90D,#16FNPT X #1	1	EA	P
2	A234991-23	HOSE ASSY,3/8"-R2-11",#6FJIC X	1	EA	P
2	A234386-19	HOSE ASSY,1/2-R2-26,1/2FJICS90	1	EA	P
2	A135171	ADAPTER,ELBOW,90D,3/8"MSAE X 3	1	EA	P
2	A135170	ADAPTER,STR,3/8"MSAE X 3/8"MJI	5	EA	P
2	A131260	ADAPTER,STR,1/4"MNPT X 3/8"MJI	2	EA	P
2	A135490	ADAPTER,ELBOW,90D,#8 MSAE X #8	9	EA	P
2	A164573	ADAPTER,STR,#8FJIC X #6MJIC	2	EA	P
2	A135184	ADAPTER,EL,90D,5/8" MSAE X 1/2	1	EA	P
2	A135252	ADAPTER,RUN TEE,#10FJS X #10MJ	1	EA	P
2	A135430	ADAPTER,ELBOW,45D,1/2"MJICX1/2	2	EA	P
2	A135250	ADAPTER,RUN TEE,1/2FJICSX1/2MJ	1	EA	P
2	A171543	ADAPTER,ELBOW,90D,1"FJICS X 1"	2	EA	P
2	A132410	NIPPLE,PIPE,1" X CLOSE,SCH80,B	1	EA	P
2	A135770	ADAPTER,ELBOW,90D,#16FNPT X #1	1	EA	P
2	A171544	ADAPTER,ELBOW,45D,1"FJIC SWIV	1	EA	P
2	A135502	ADAPTER, #10 SWIVEL RUN TEE	1	EA	P
2	A171545	ADAPTER,ELBOW,45D,5/8"FJICS X	1	EA	P
2	A135232	ADAPTER, #10 FJICS x #8 MJIC	1	EA	P
2	A130790	ADAPTER,SWIVEL,1"FNPTS X 1"MNP	4	EA	P
2	A135175	ADAPTER,RUN TEE,1/2MSAEX1/2MJI	1	EA	P
2	A249333	ADAPTER,STRAIGHT,1/2"FJICS-1/2	1	EA	P
2	A234399-05	HOSE ASSY,5/8"-R2-308",#10FJIC	1	EA	P
2	A234491-01	HOSE ASSY,5/8"-R2-214",#10FJIC	1	EA	P
2	A234996-68	HOSE ASSY,1"-R2-252",1"MNPT X	1	EA	P
2	A234996-65	HOSE ASSY,1"-R2-83",#16MNPT X	1	EA	P
1	A247500	FRONT REEL ASSEMBLY,CHASSIS MT	1	EA	M
2	A247511-2	WELDMENT, CHASSIS MOUNT	1	EA	M
2	A247533-1	TAPER PIN WELDMENT,FRONT REEL	2	EA	M
2	A247511	MOUNTING BASE WELDMENT,FRONT R	1	EA	M
2	A247538	NUT,KEEPER,WELDMENT,FRONT REEL	2	EA	M
2	A153730	PIN,TANK TIPPING HINGE	2	EA	P
2	A105368	SCREW,CAP,5/8-11 X 1 3/4",HEX,	2	EA	P
2	A107024	LOCKNUT,CRIMPED,5/8"-11,PLATED	2	EA	P
2	A107234	WASHER,FLAT,5/8" USS,PLT,GR8	2	EA	P
2	A107080	NUT,3/8-24,HEX,PLT,GR8	2	EA	P
2	A105684	SCREW,CAP,3/4-16 X 2",HEX,PLT,	10	EA	P
2	A107304	WASHER,LOCK,3/4",PLATED,GR8	10	EA	P
2	A103518	LOCKNUT,NYLON,3/4"-16,PLATED,G	10	EA	P
1	A247543-1	BOOM REST ASSEMBLY,FRONT REEL	1	EA	M
2	A247543	BOOM REST WELDMENT,FRONT REEL	1	EA	M
2	U4501-0003	ANGLE STK,3"X 2"X 3/8",CS	1.5000	FT	P
1	A161085	BEARING & GEAR,PIVART,10"ID X	1	EA	P

Part Number A380380

FRONT REEL OPTION,B-SERIES

Level	Part Number	Description	Quantity	U/M	SC
1	A161086	GEAR,PIVART PINION	1	EA	P
1	A247510	PIVOTING FRONT REEL SUB ASSEMB	1	EA	M
2	A246952-1	REEL WELDMENT,22" WIDE,FRONT R	1	EA	M
2	A235232-21	NIPPLE, 1" X 5 1/2" LONG, SEAM	1	EA	P
2	A160305	BEARING,PILLOW BLOCK,1-15/16"	2	EA	P
2	A130727	SWIVEL,REEL,1-1/4"MNPT X 1-1/4	1	EA	P
2	A130751	ADAPTER,1-1/4"MNPT X 1"MJIC	1	EA	P
2	A160410	COLLAR,2" SOLID	1	EA	P
2	A246951-1	FRAME WELDMENT,FRONT REEL	1	EA	M
2	A234922	MOUNTING BRACKET,HOSE REEL HYD	1	EA	M
2	A110185	MOTOR,HYD.,HOSE REEL DRIVE	1	EA	P
2	A160220	SPROCKET,HOSE REEL, 13 TOOTH,	1	EA	P
2	A160440-18	CHAIN,#60 X 5 FT. LONG	1	EA	M
2	A160820	LINK,CHAIN CONNECTING,#60	1	EA	P
2	A160821	LINK,OFFSET,#60 CHAIN	1	EA	P
2	A130775	SWIVEL,LIVE INLINE,1"MJIC X(2)	2	EA	P
2	A130776	SWIVEL,LIVE INLINE,1/2"MJIC X(2	EA	P
2	A380651	PLATE,BOTTOM,HOSE REEL,FRONT R	1	EA	M
1	A380438	BELT GUARD,FRONT REEL	1	EA	M
1	A220555	DOOR HOLDER,FEMALE,RUBBER ***	1	EA	P
1	A220556	DOOR HOLDER,MALE,RUBBER ***	1	EA	P
1	A243227	MANIFOLD WELDMENT,HYDRAULIC,R/	1	EA	M
1	A110314	CYLINDER,HYDRAULIC,FRONT REEL	1	EA	P
1	A247536	CYLINDER PIN,UPPER,FRONT REEL	1	EA	M
1	A247537	CYLINDER PIN,LOWER,FRONT REEL	1	EA	M
1	A107268	PIN,COTTER,1/8" X 1-1/2"	4	EA	P
1	A247527	CHASSIS END CAP,FRONT REEL	2	EA	M
1	A338414	BRACKET,HOSE,FRONT REEL,SHORT	2	EA	M
1	A338415	BRACKET,HOSE,FRONT REEL,TALL	2	EA	M
1	A220685	CLAMP,BEAM,3/4"OPENING,ROD SIZ	8	EA	P
1	A338451	BOOM LATCH ASSEMBLY,FRONT REEL	1	EA	M
2	A338444	WELDMENT,PIVOT ARM,BOOM LOCK,F	1	EA	M
2	A338449-1	WELDMENT,FRAME MNT,FRONT REEL	1	EA	M
2	A102807	PIN,HITCH,5/8" DIA X 4" U-L,W/	1	EA	P
2	A338457	HOOK,BOOM HOSE CHAIN,FRONT REE	1	EA	M
1	A247543-3	BOOM REST W/RESTRAINTS,BOLT-ON	1	EA	M
2	U4505-0006	PLATE STK,3/8"THICK,HRS,A36	.9483	SF	P
2	U4505-0006	PLATE STK,3/8"THICK,HRS,A36	.3864	SF	P
2	A240789	PERMA SLAT,2.5" X 30"	.6000	EA	P
2	A249371-5	PAD,BOOM REST,GUIDE,B-SERIES	2	EA	M
2	U4606-0020	RIVET,RD ALUM HD,.25"DI X .501	4	EA	P
1	A220687	CLAMP,HOSE SUPPORT,RUBBER COAT	8	EA	P
1	A338274-1	SKID PLATE,FRONT REEL,4" DROP	1	EA	M
1	A246830-1	WELDMENT,PIN,LEVEL WIND,FRONT	1	EA	M
2	A239943-1	PIN,LEVEL WIND,FRONT REEL	1	EA	M
2	A107267	WASHER,FLAT,1-5/8" X 3"OD,PLAT	1	EA	P
1	A191775	RUBBER BUMPER,STINGRAY NOZZLE	2	EA	P
1	A304008	WELDMENT,REELGUARD,FRONT REEL	1	EA	M
1	A304017-1	SHIM, STD FRONT REEL MOUNTING	2	EA	M
1	A171549-1	ADAPTER,ELBOW,45D SWIV NUT M-F	1	EA	P
1	A381780	WELDMENT,SHROUD,FRONT HOSE REE	1	EA	M
1	A384536	WELDMENT,ADAPTER,FRONT FRAME	1	EA	M
1	A383050	INSTALL SIGHT TUBES, FRONT TAN	1	EA	M
2	A383959	FITTING,SPINWELD,3/8"FNPT,RECE	4	EA	P
2	A135322	ADAPTER,STR,3/8"MNPT X 3/8"FNP	4	EA	P
2	A135321	ADAPTER,ELBOW,90D,3/8"MNPTX3/8	4	EA	P
2	A175287	TUBING,CLEAR PLASTIC,3/8"ID, P	10	FT	P
2	A221640	BALL,PLASTIC WATER LEVEL	2	EA	P
2	A220600	CLAMP,HOSE,#6SS WORM GEAR,.375	4	EA	P
1	A338780-4	CLAMPING KIT,BOOM HOSE,FRONT B	1	EA	M
2	A304034	CHAIN ATTACHMENT, BUMPER, B-SE	1	EA	M

Part Number A380380

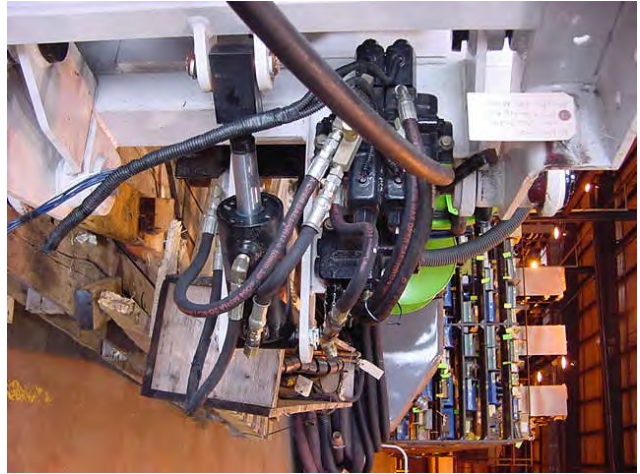
FRONT REEL OPTION, B-SERIES

Level	Part Number	Description	Quantity	U/M	SC
2	A338779	WELDMENT, STRAP HALF, BOOM HOSE	2	EA	M
2	A380493-24	CHAIN, 5/16" X 24" LONG, FOR BOO	1	EA	M
2	08-7203	SLIP HOOK W/SAFETY LATCH	1	EA	P
2	A107319	CLEVIS, PIN, DOUBLE, 1/4"-5/16"	1	EA	P
1	A338274-2	SUPPORT LEG, SKID PLATE, FRONT R	2	EA	M
1	A234996-53	HOSE ASSY, 1"-R2-210", 1"MPTX1"M	1	EA	P
1	A234996-38	HOSE ASSY, 1"-R2-48", 1MNPT-1MNP	1	EA	P
1	A243227-3	WELDMENT, WATER MANIFOLD, 1", FRA	1	EA	M

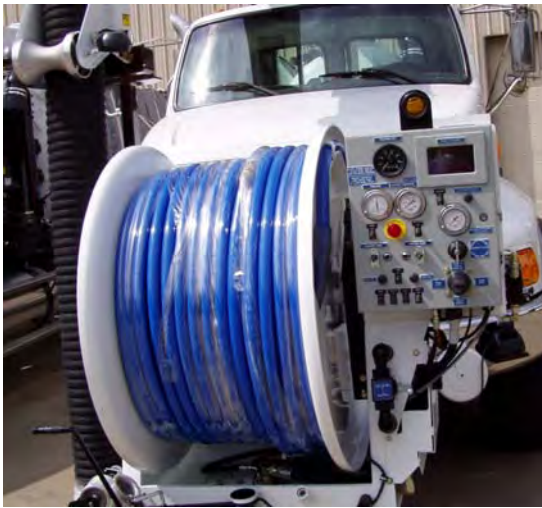
GrowthPower

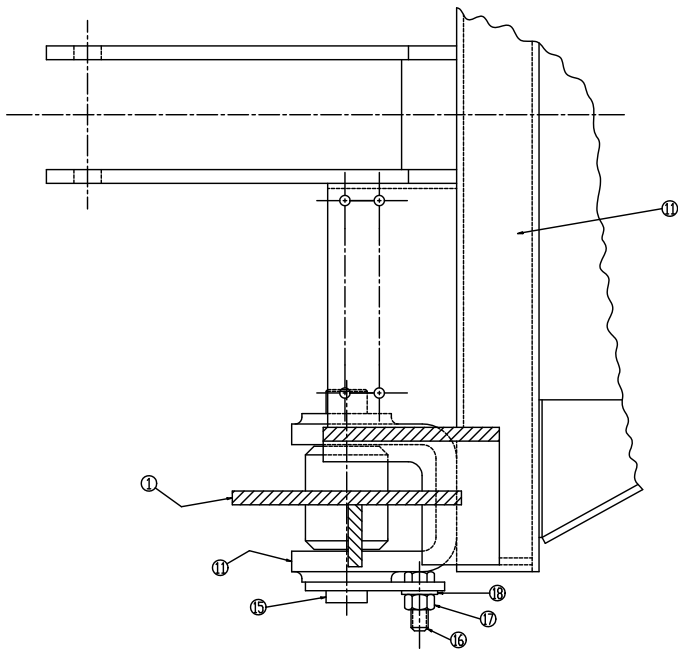
BILL OF MATERIAL INQUIRY

MON, MAY 5, 2014, 11:08 AM

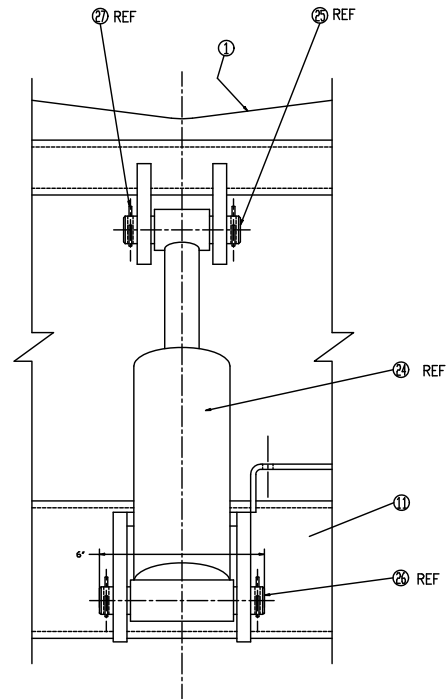


Part Number <u>A380380-MOD</u> MODIFIED FRONT REEL OPTION, B SERIES					
Level	Part Number	Description	Quantity	U/M	SC
1	A247008	FRONT REEL HOSE & FITTING KIT	1	EA	P
1	A247500	FRONT REEL ASSEMBLY, CHASSIS MT	1	EA	M
1	A338614	BOOM REST, FRONT REEL, OFF-SET, S	1	EA	M
1	A161085	BEARING & GEAR, 10" ID X 17" OD	1	EA	P
1	A161086	GEAR, PINION	1	EA	P
1	A247510-MOD	MODIFIED PIVOTING FRONT REEL A	1	EA	M
1	A380438	BELT GUARD, FRONT REEL	1	EA	M
1	A220555	DOOR HOLDER, FEMALE, RUBBER ***	1	EA	P
1	A220556	DOOR HOLDER, MALE, RUBBER ***	1	EA	P
1	A243227	MANIFOLD WELDMENT, HYDRAULIC, R/	1	EA	M
1	A110314	CYLINDER, HYDRAULIC, FRONT REEL	1	EA	P
1	A247536	CYLINDER PIN, UPPER, FRONT REEL	1	EA	M
1	A247537	CYLINDER PIN, LOWER, FRONT REEL	1	EA	M
1	A107268	PIN, COTTER, 1/8" X 1-1/2"	4	EA	P
1	A247527	CHASSIS END CAP, FRONT REEL	2	EA	M
1	A338414	BRACKET, HOSE, FRONT REEL, SHORT	2	EA	M
1	A338415	BRACKET, HOSE, FRONT REEL, TALL	2	EA	M
1	A220685	CLAMP, BEAM, ROD SIZE - 1/2" - 13*	8	EA	P
1	A338451	BOOM LATCH ASSEMBLY, FRONT REEL	1	EA	M
1	A247543-3	BOOM REST W/RESTRAINTS, BOLT-ON	1	EA	M
1	A220687	CLAMP, HOSE SUPPORT, RUBBER COAT	8	EA	P
1	A338274-1	SKID PLATE, FRONT REEL, 4" DROP	1	EA	M
1	A246830-1	WELDMENT, PIN, LEVEL WIND, FRONT	1	EA	M
1	A191775	RUBBER BUMPER, STINGRAY NOZZLE	2	EA	P
1	A381780	WELDMENT, SHROUD, FRONT HOSE REE	1	EA	M
1	A383050	INSTALL SIGHT TUBES, FRONT TAN	1	EA	M
1	A338274-2	SUPPORT LEG, SKID PLATE, FRONT R	2	EA	M





SECTION C - 2



VIEW D - 2

NOTES:

1. ALL WELDS 1/4" CONTINUOUS UNLESS OTHERWISE SPECIFIED
2. GRIND ALL SHARP CORNERS
3. PREP & PRIME WITH SHERWIN-WILLIAMS CO. PRIMER MINIMUM 1.4 MILS

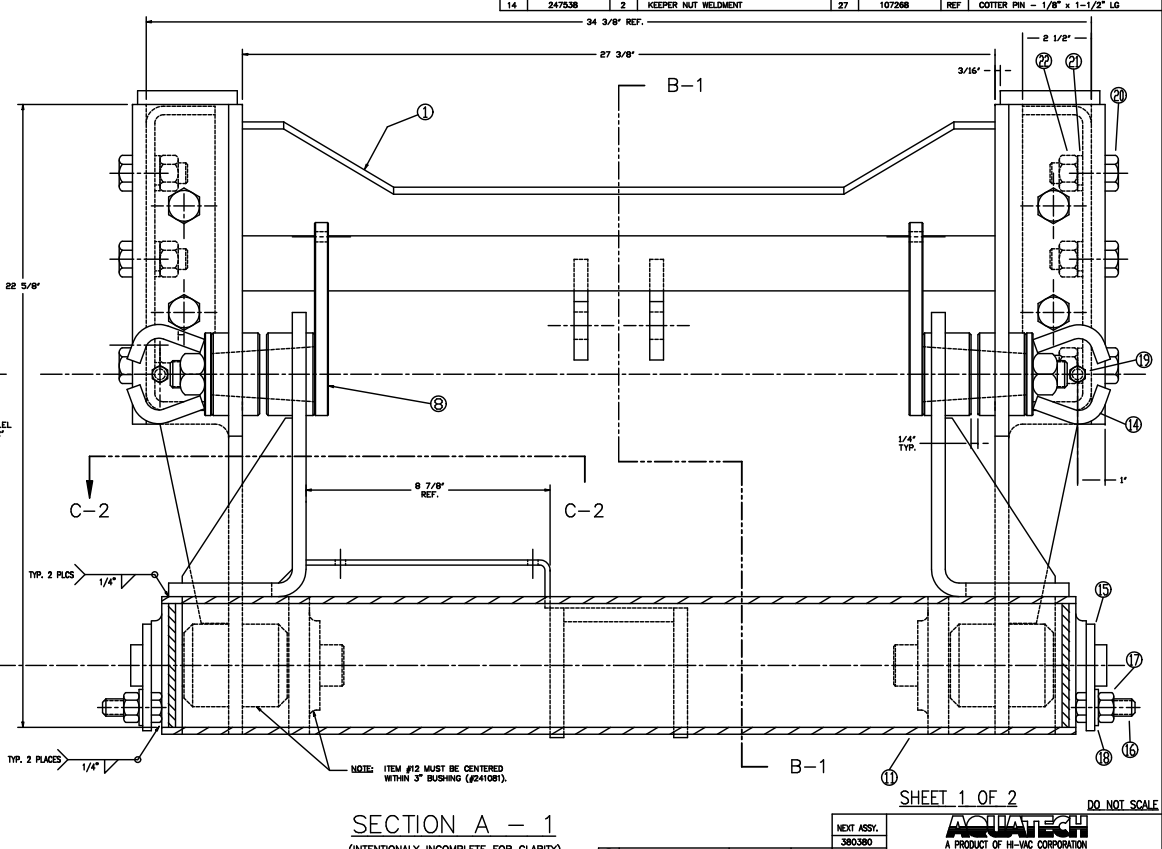
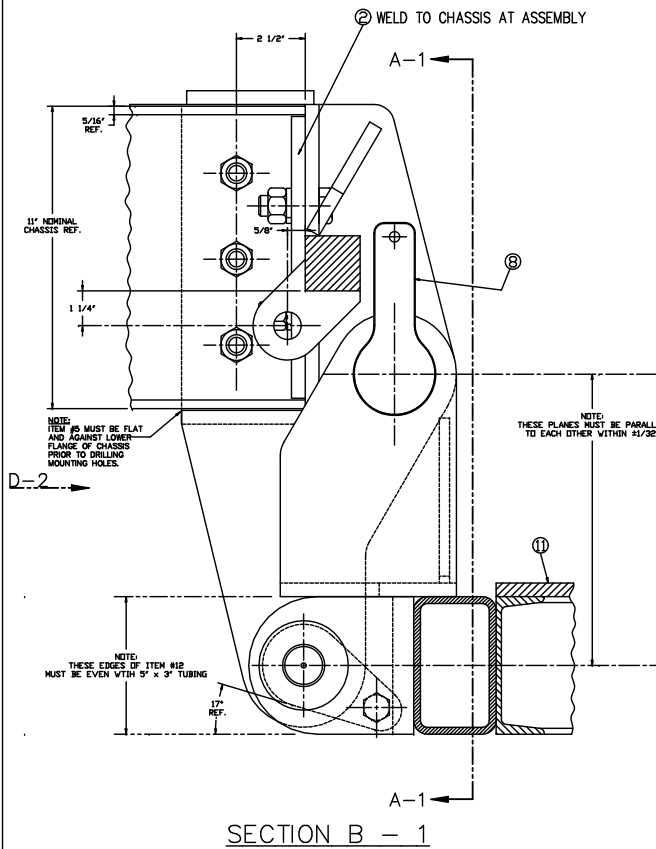
NEXT ASSY.			380380		
① SEE SHEET #1	07/19/05	LAG			
② SEE SHEET #1	06/14/05	LAG			
③ SEE SHEET #1	06/06/05	LAG			
④ SEE SHEET #1	03/03/05	RAE			
UNLESS OTHERWISE SPECIFIED			THIS DOCUMENT IS THE PROPERTY OF HI-WAC CORP. AND IS LOANED TO YOU BY THE COMPANY. IT IS TO BE RETURNED TO THE COMPANY. IT IS NOT TO BE REPRODUCED OR TRANSMITTED IN ANY FORM OR BY ANY MEANS, ELECTRONIC OR MECHANICAL, INCLUDING PHOTOCOPYING, RECORDING, OR BY ANY INFORMATION STORAGE AND RETRIEVAL SYSTEM.		
FRONT REEL ASSEMBLY - CHASSIS MOUNTING & BASE ASSEMBLY			FRONT REEL		
SEE BILL OF MATERIALS			PART NUMBER: 247500		
SHEET 2 OF 2			D		

SHEET 2 OF 2 DO NOT SCALE

AQUATECH
 A PRODUCT OF HI-WAC CORPORATION
 117 HODURY ROAD WILMINGTON, OHIO 45390 USA
 PHONE 4740.374.9171 FAX 4740.374.5447

SHEET 2 OF 2

PART NO: 247500			DESCRIPTION: FRONT REEL ASSEMBLY				
ITEM	PART NO.	QTY	DESCRIPTION	ITEM	PART NO.	QTY	DESCRIPTION
1	247511-2	1	WELDMENT, CHASSIS MOUNT	15	153730	2	HINGE PIN WELDMENT
2	247527	2	END CAP - CHASSIS	16	105368	2	SCREW - HEX 5/8"-11 x 1-3/4" LG
3				17	107024	2	NYLOCK NUT - 5/8"-11
4				18	107294	2	FLAT WASHER - 5/8"
5				19	107080	2	NUT, HEX - 3/8"-24
6				20	105684	10	SCREW, HEX - 3/4"-16 x 2" LG
7				21	107304	10	LOCK WASHER - 3/4"
8	247533-1	2	TAPER PIN WELDMENT	22	103518	10	NUT, NYLOCK - 3/4"-16
9				23			
10				24	110314	REF	CYLINDER - HYDRAULIC
11	247911	1	MOUNTING BASE WELDMENT	25	247536	REF	CYLINDER PIN - UPPER
12				26	247537	REF	CYLINDER PIN - LOWER
14	247538	2	KEEPER NUT WELDMENT	27	107268	REF	COTTER PIN - 1/8" x 1-1/2" LG



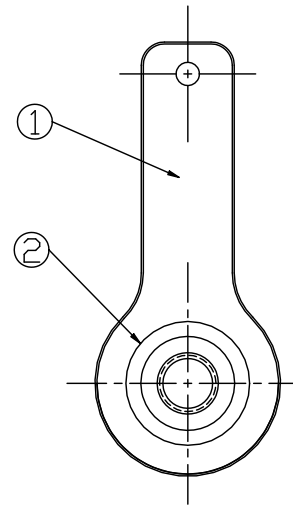
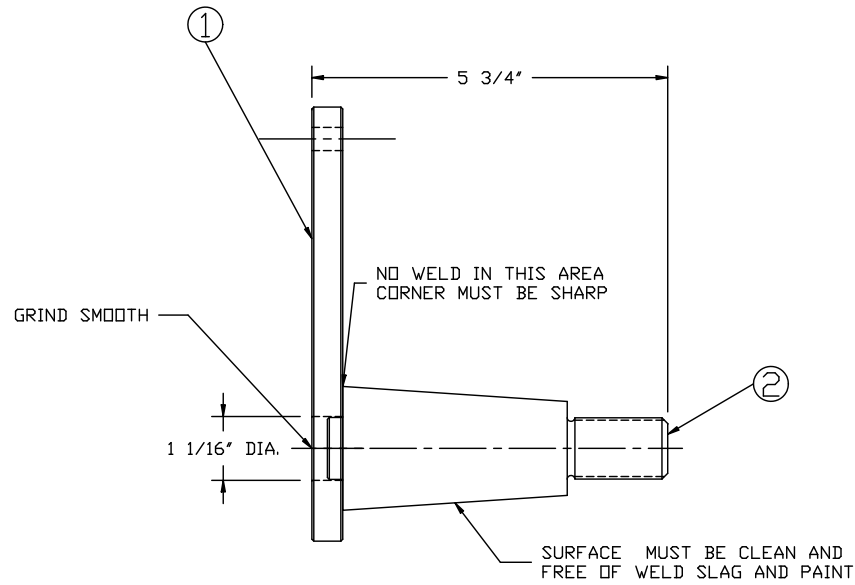
- NOTES:**
1. ALL WELDS 1/4" CONTINUOUS UNLESS OTHERWISE SPECIFIED
 2. GRIND ALL SHARP CORNERS
 3. PREP & PRIME WITH SHERWIN-WILLIAMS CO. PRIMER MINIMUM 1.4 MILS


SHEET 1 OF 2 DO NOT SCALE

DATE	DESCRIPTION	BY	CHKD
07/19/05	UPDATE	LAG	
06/14/05	UPDATE B/M	LAG	
06/06/05	UPDATE	LAG	
03/03/05	ITEM #3 WAS 247548	RAE	

NEXT ASSY. 380380
AQUATECH
 A PRODUCT OF H-VAC CORPORATION
 117 HADSON ROAD BURETA OH 4300 USA
 PHONE +760.374.9171 FAX +760.374.5447
 DRAWN BY: JMS CHECKED BY: JLM
 DATE: 02/23/99
 FRONT REEL ASSEMBLY - CHASSIS MOUNTING & BASE
 PART NUMBER: 247500
 SHEET 1 OF 2

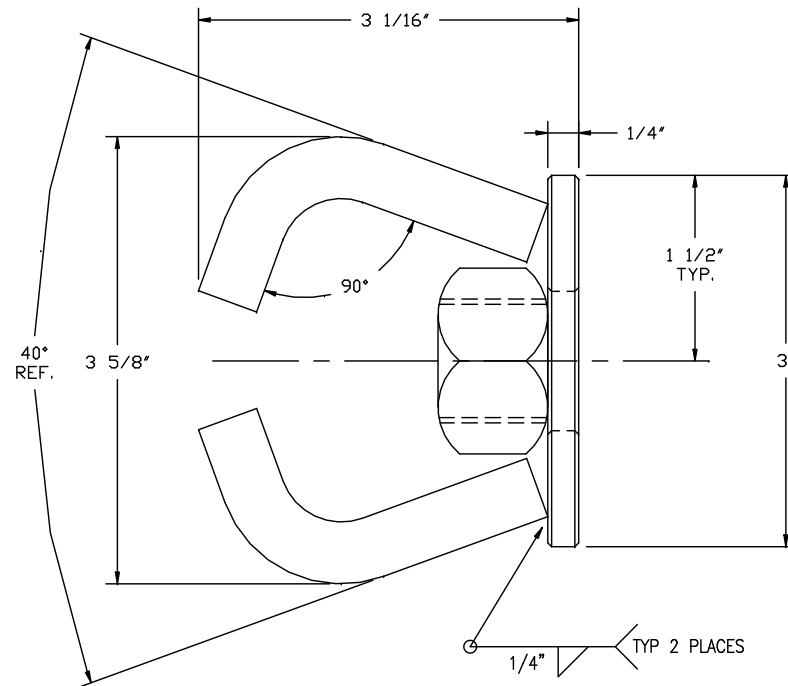
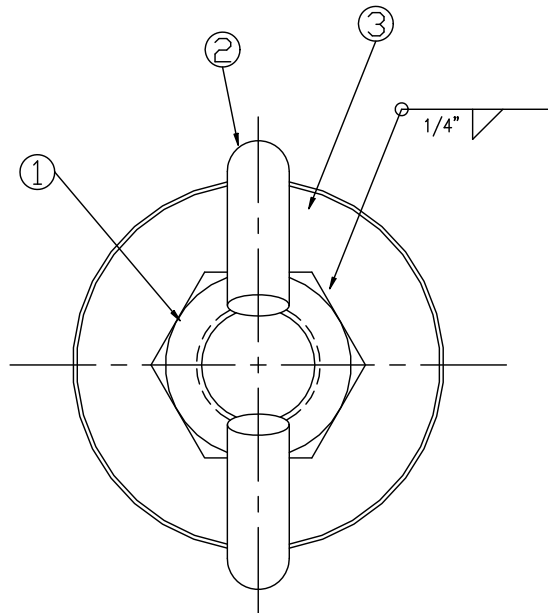
PART NO.: 247533-1		DESCRIPTION: TAPER PIN WELDMENT	
ITEM	PART NO.	REQ'D.	DESCRIPTION
1	247533	1	WASHER - TAPER PIN
2	247532	1	TAPER PIN




NEXT ASSY.	 A PRODUCT OF HI-VAC CORPORATION 117 INDUSTRY ROAD MARIETTA, OHIO 45750 USA PHONE +740.374.9171 FAX +740.374.5447		
247500			
-			
-			
SCALE: 1/2" = 1"	WEIGHT:	DRAWN BY: JMS	PRODUCT CODE:
DWG SIZE: B	DATE: 02/23/99	CHECKED BY: JM	FRONT REEL
DESCRIPTION: TAPER PIN WELDMENT			
MATERIAL: SEE BILL OF MATERIALS	PART NUMBER: 247533-1	REV: -	
RAW MAT'L:			

ⓑ			
Ⓐ			
REV.	DESCRIPTION	DATE	BY
UNLESS OTHERWISE SPECIFIED		THIS DOCUMENT IS THE PROPERTY OF HI-VAC, CORP. AND IS FURNISHED FOR AUTHORIZED USE ONLY. NEITHER THIS DOCUMENT NOR THE INFORMATION DISCLOSED HEREIN SHALL BE COPIED, REPRODUCED, TRANSFERRED OR USED FOR MANUFACTURING OR FOR ANY OTHER PURPOSE EXCEPT AS AUTHORIZED IN WRITING BY HI-VAC, CORP.	
✓ =125 MICRONS	MACHINING TOLERANCES		
BREAK ALL EDGES	FRACTIONAL ± .015		
FABRICATION TOL. ± 1/16"	DECIMAL ± .010		
ANGULAR ± 1°	XXX ± .005		

PART NO.: 247538		DESCRIPTION: KEEPER NUT WELDMNT	
ITEM	PART NO.	REQ'D.	DESCRIPTION
1	107166	1	NUT - 1"-14
2	247539	2	WING - KEEPER NUT
3	247540	1	WASHER - KEEPER NUT



DO NOT SCALE

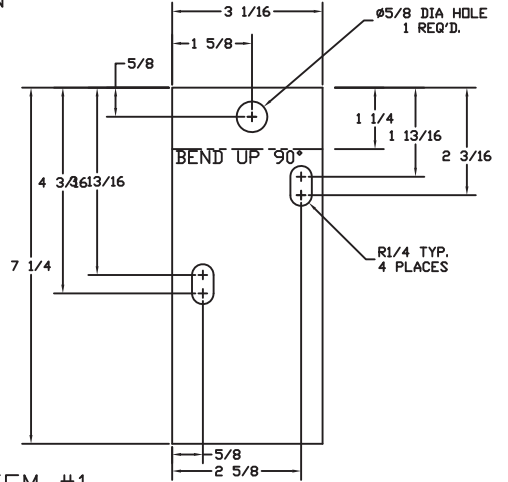
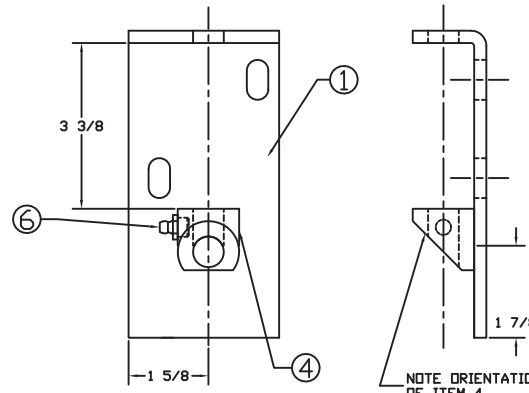
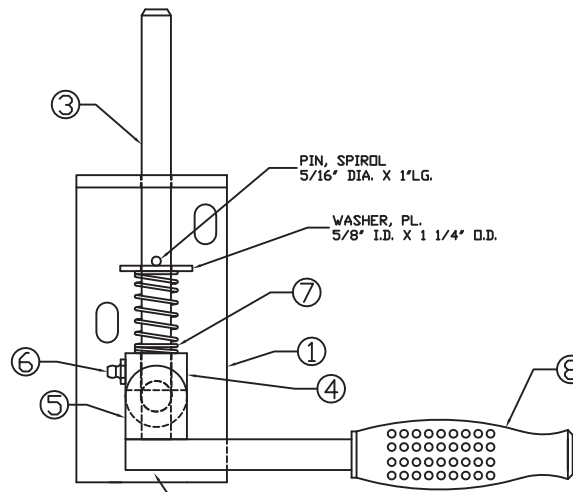
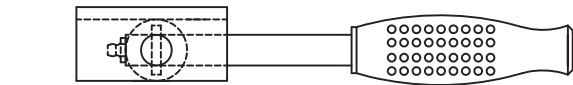
NEXT ASSY.	 A PRODUCT OF HI-VAC CORPORATION 117 INDUSTRY ROAD MARIETTA, OHIO 45750 USA PHONE +740.374.9171 FAX +740.374.5447		
247500	SCALE: 1" = 1"	WEIGHT:	DRAWN BY: JMS
-	DWG SIZE: B	DATE: 01/20/99	CHECKED BY: JM
-	DESCRIPTION: KEEPER NUT WELDMNT		
-	MATERIAL: SEE BILL OF MATERIALS	PART NUMBER: 247538	REV: -
PRODUCT CODE: FRONT REEL			

REV.	DESCRIPTION	DATE	BY
ⓑ			
Ⓐ			

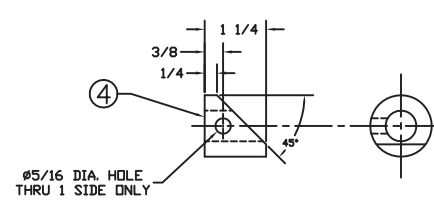
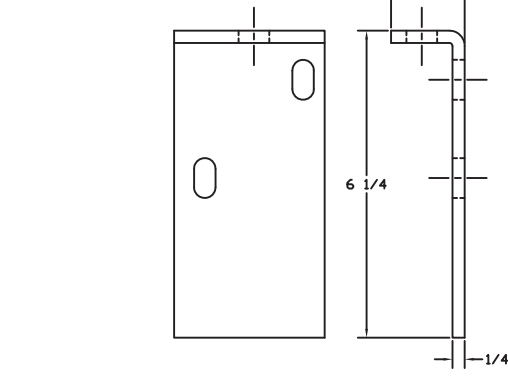
UNLESS OTHERWISE SPECIFIED

✓ = 125 MICRORINCHES	MACHINING TOLERANCES	THIS DOCUMENT IS THE PROPERTY OF HI-VAC, CORP. AND IS FURNISHED FOR AUTHORIZED USE ONLY. NEITHER THIS DOCUMENT NOR THE INFORMATION DISCLOSED HEREIN SHALL BE COPIED, REPRODUCED, TRANSFERRED OR USED FOR MANUFACTURING OR FOR ANY OTHER PURPOSE EXCEPT AS AUTHORIZED IN WRITING BY HI-VAC, CORP.
BREAK ALL EDGES	FRACTIONAL ± .015	
FABRICATION TOL. ± 1/16"	DECIMAL ± .010	
ANGULAR ± 1'	XXX ± .005	

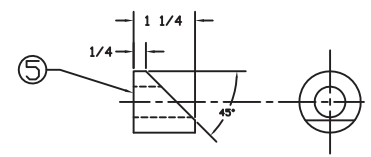
PART NO.: A338139-1		DESCRIPTION: LATCH WELDMENT AND ASSY	
ITEM	PART NO.	REQ'D.	DESCRIPTION
1	11900163	1	PLATE STK. 1/4" THK X 3 1/16" X 7 1/4"
2	11900164	1	BAR STK RND, 5/8" DIA X 9"LG.
3	11900165	1	BAR STK RND, SS, 19/32" DIA X 8 3/4"LG.
4	11900166	1	TUBE-RND, 1 1/4"O.D., 5/8" I.D., 1 1/4"LG.
5	11900167	1	TUBE-RND, 1 1/4"O.D., 5/8" I.D., 1 1/4"LG.
6	A152040	1	GREASE FITTING
7	A387093	1	SPRING
8	A220940	1	HANDLE GRIP



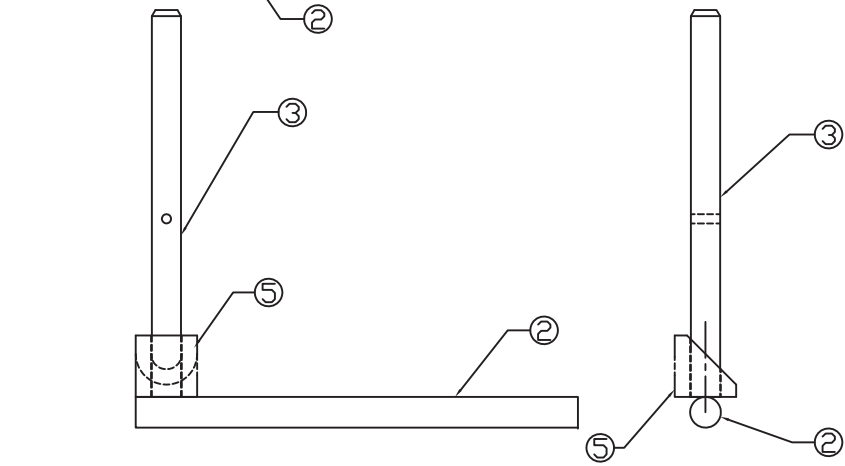
ITEM #1
(1 REQ'D.)



ITEM #4, 1 REQ'D

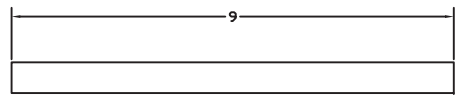


ITEM #5, 1 REQ'D



45° CHAMFER

ITEM #3
(1 REQ'D.)



ITEM #2
(1 REQ'D.)



DO NOT SCALE

AQUATECH
A PRODUCT OF HI-VAC CORPORATION
117 INDUSTRY ROAD MARIETTA, OHIO 45750 USA
PHONE +740.374.9171 FAX +740.374.5447

SCALE: 1:2	WEIGHT:	DRAWN BY: KRS	PRODUCT CODE:
DWG SIZE: C	DATE: 9/28/10	CHECKED BY:	FRONT REEL
DESCRIPTION: LATCH WELDMENT AND ASSY			
MATERIAL: SEE B/M		PART NUMBER: A338139-1	REV: D

Page 35

IN-LINE "LIVE" SWIVELS

Male JIC (37° Flare)



Male JIC (37° Flare)

Part Number A130776
 Part Number A130775

SWIVEL, LIVE INLINE, 1/2" MJIC X (2), BULKHEAD
SWIVEL, LIVE INLINE, 1" MJIC X (2), BULKHEAD

Male Pipe



Female Pipe

Part Number A130847
 Part Number A130848
 Part Number A130849

SWIVEL, LIVE INLINE, 1/2" MNPT X 1/2" FNPT
SWIVEL, LIVE INLINE, 3/4" MNPT X 3/4" FNPT
SWIVEL, LIVE INLINE, 1" MNPT X 1" FNPT

Female JIC (37° Flare)



Male JIC (37° Flare)

Part Number A100058

SWIVEL, LIVE INLINE, 1" MJIC X 1" FJIC

Male Pipe



Female JIC (37° Flare)



* (styles may vary)

Part Number A100061

SWIVEL, LIVE INLINE, 1" MNPT x 1" FJIC